

alora mood

P. 1.855.855.8926

CANADA: 19054 28TH Avenue Surrey - BC V3Z 6M3

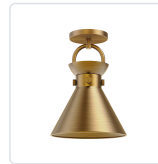
USA: 3035 E. Lone Mountain Rd - Las Vegas, NV, 89081

EMERSON SF412009

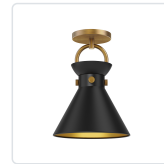
| | |
|--------------------|----------------|
| FIXTURE DIMENSIONS | D8-3/4" x H12" |
| LAMP TYPE | E26 |
| WATTAGE | 1 x 60W |
| MAX WATTAGE | 60W |
| BULB QTY | 1 |
| BULBS INCLUDED | No |
| VOLTAGE | 120V |
| MATERIAL | Steel |
| LOCATION | Dry |
| CANOPY DIMENSIONS | D6" x H7/8" |
| BRAND | Alora Mood |

[D - Diameter, L - Length, W - Width, H - Height, E - Extension]

AVAILABLE FINISHES:



SF412009AG
Aged Gold

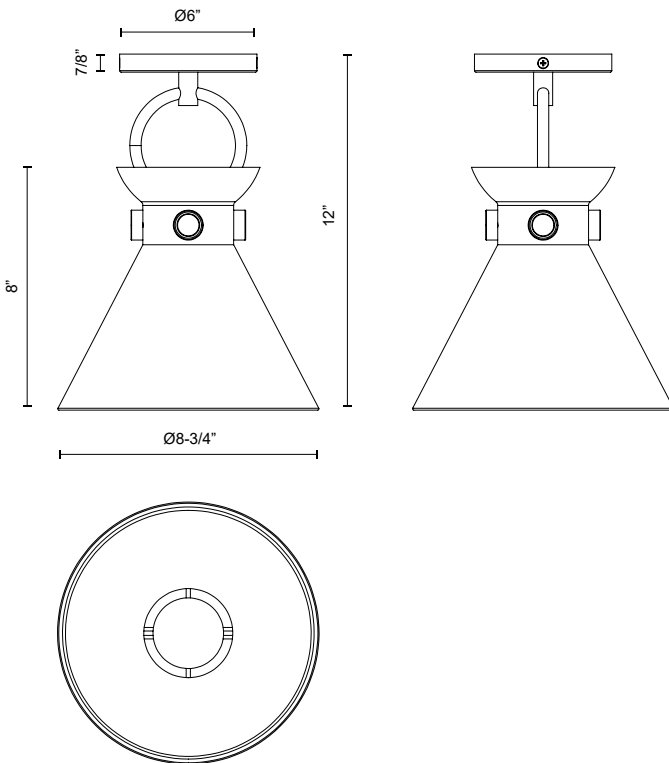


SF412009AGMB
Aged Gold/Matte
Black



SF412009MBAG
Matte Black/Aged
Gold

*For complete warranty terms, please visit: www.aloralighting.com/warranty



WWW.ALORAMOOD.COM

